



Installation guide  
**System X**

# System X

## Content

### Introduction

System overview	2
Technical data	2
System depth and weight	
System load-bearing capacity	
Installation conditions	2
Temperature and humidity	
Planning	
Incident light	
Handling tiles	

### Grid installation

600 x 600 X-edge tiles	3
1200 x 600 X-edge tiles	4

### Tile installation

Central tiles	5
Perimeter tiles	6

### Special situations

Direct installation	7
Refurbishment	7
Swimming pool and high corrosion risk	7



## System X – Introduction

### System overview

#### Description

System X is a concealed system that provides an elegant, unbroken ceiling expression. The system provides full demountability of the installed tiles.

Rockfon X-edge tiles are available in white and colors (Rockfon Color-all) in 600 x 600 and 1200 x 600 sizes.

System X can be fixed directly to the soffit with X-hooks or suspended with RockLink 24 CLICK grid at any desired height.

### Technical data

#### Weight and depth

	Suspended	Direct fix
System weight	4.3 kg/m <sup>2</sup>	3.8 kg/m <sup>2</sup>
Suspension depth	≥66 mm	31 mm

#### System load-bearing capacity

As RockLink 24 installation guidelines.

### Installation conditions

#### Temperature and humidity

Rockfon ceiling tiles are non-hygroscopic and dimensionally stable, even at humidity levels of up to 100% RH. Since the humidity inside a building has no influence on Rockfon ceiling tiles, the ceiling can be installed at all temperatures ranging from 0°C to 40°C.

This also means that no acclimatisation is necessary and that it is possible to install Rockfon ceiling tiles during the very early stage of the build (when windows are not fully sealed) without risk of tile deflection.

#### Planning

System X is a finished ceiling.

#### Installation

The system provides full demountability of the installed tiles.

#### Incident light

It is recommended to avoid incident/side light on suspended ceilings.

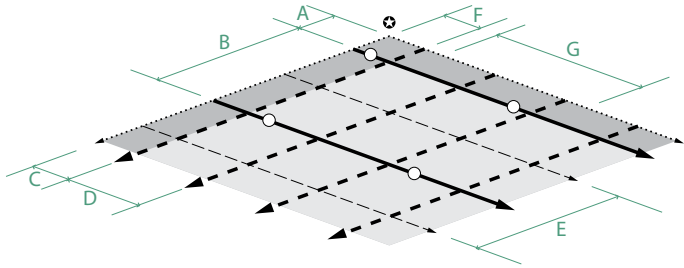
#### Handling

It is recommended to use cotton gloves when handling Rockfon tiles to avoid contamination. Tiles are easy to cut with a sharp knife.

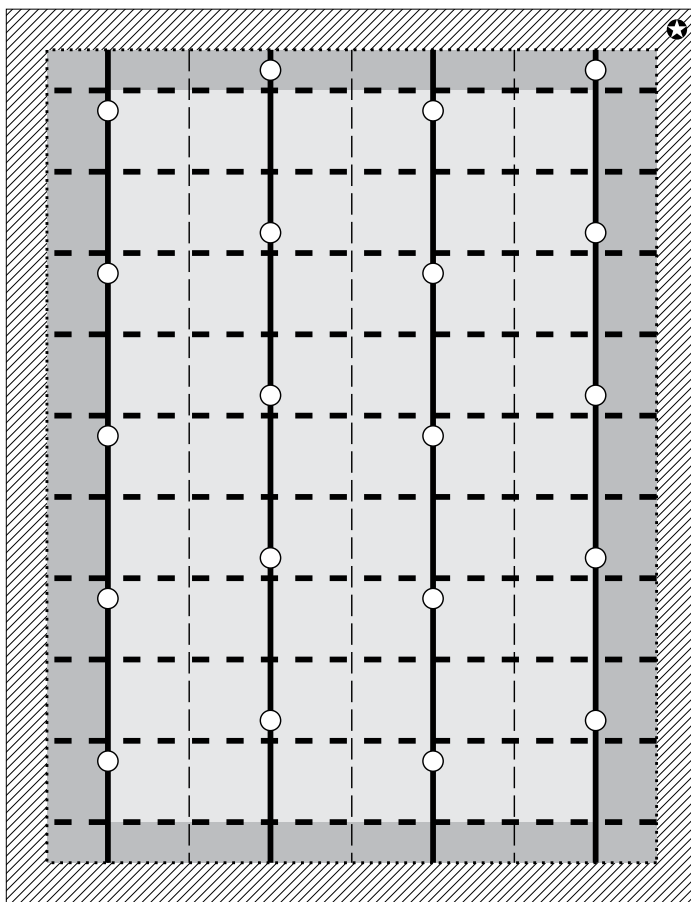
# System X – Grid installation

## 600 x 600 X-edge tiles

Suspended grid installation should be carried out in accordance with the general RockLink 24 CLICK guidelines.



Distance overview		(mm)
A	Max. distance to the first main runner	1200
B	Distance between main runners	1200
C	Max. distance to the first 1200 cross tee	600
D	Distance between 1200 cross tees	600
E	Distance between 600 cross tees	1200
F	Max. distance to the first hanger	450
G	Distance between hangers	1200



- ..... Perimeter trim
- Hangers
- Main runners
- - - 1200 mm cross tees
- - - 600 mm cross tees
- Central tiles 600 x 600 mm
- Perimeter tiles

For best results, centralise the grid layout.

### System components and consumption guide (per m<sup>2</sup>)

	Main runner	Cross tee 1200	Cross tee 600	Perimeter trim & Wall clips	Hangers
600 x 600 tiles	0.84 lm	1.67 lm	0.84 lm	*	0.7 pc**

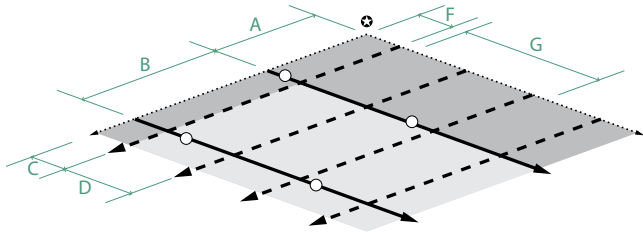
\*Consumption depends on room size.

\*\*Be sure to use top fixings best suited to the soffit material.

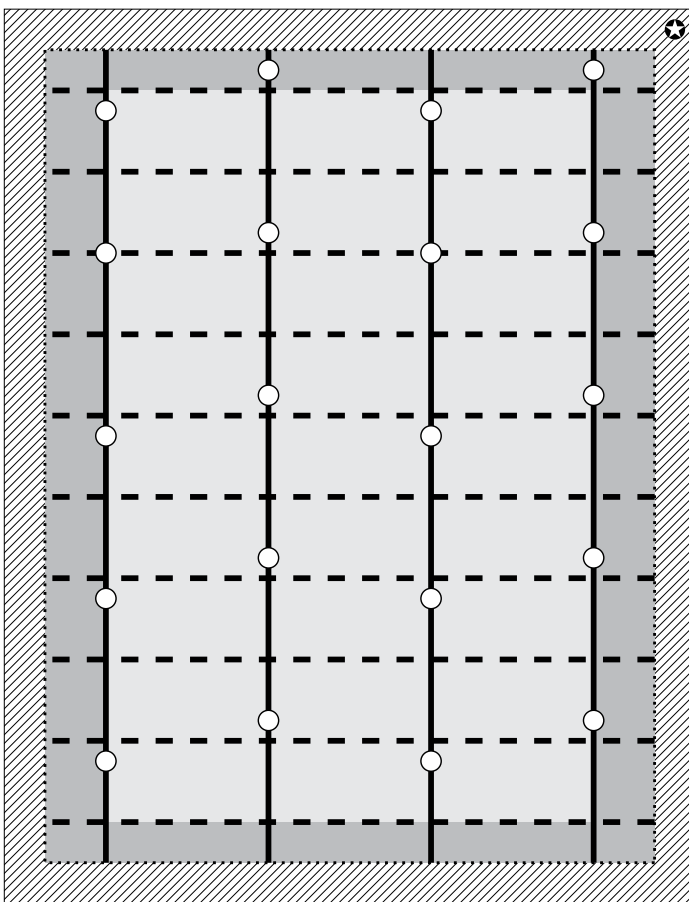
# System X – Grid installation

## 1200 x 600 X-edge tiles

Suspended grid installation should be carried out in accordance with the general RockLink 24 CLICK guidelines.



Distance overview		(mm)
A	Max. distance to the first main runner	1200
B	Distance between main runners	1200
C	Max. distance to the first 1200 cross tee	600
D	Distance between 1200 cross tees	600
F	Max. distance to the first hanger	450
G	Distance between hangers	1200



- ..... Perimeter trim
- Hangers
- Main runners
- - - - 1200 mm cross tees

- Central tiles  
1200 x 600 mm
- Perimeter tiles

For best results, centralise the grid layout.

### System components and consumption guide (per m<sup>2</sup>)

	Main runner	Cross tee 1200	Cross tee 600	Perimeter trim & Wall clips	Hangers
600 x 600 tiles	0.84 lm	1.67 lm	–	*	0.7 pc**

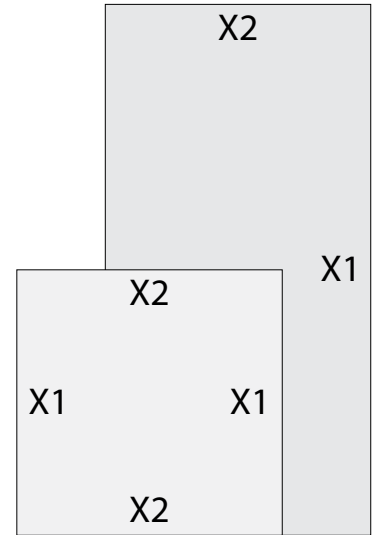
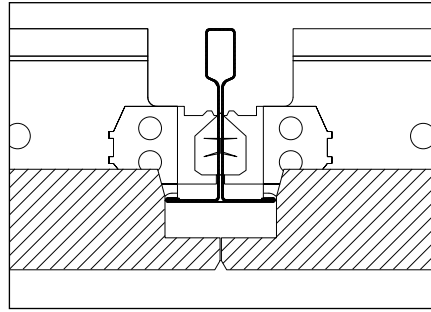
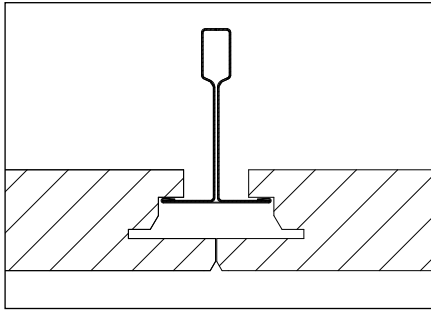
\*Consumption depends on room size.

\*\*Be sure to use top fixings best suited to the soffit material.

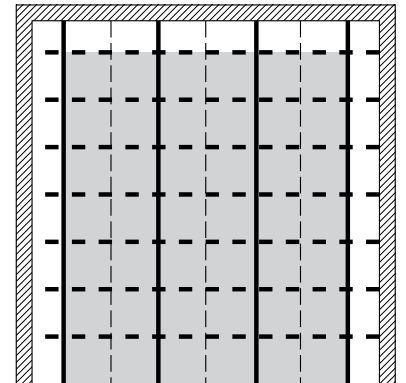
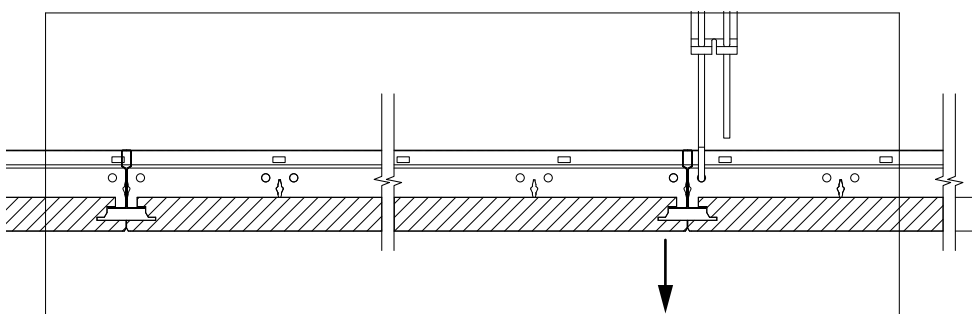
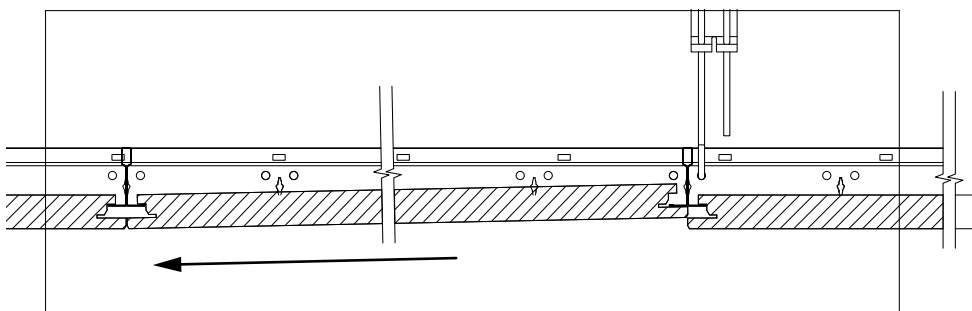
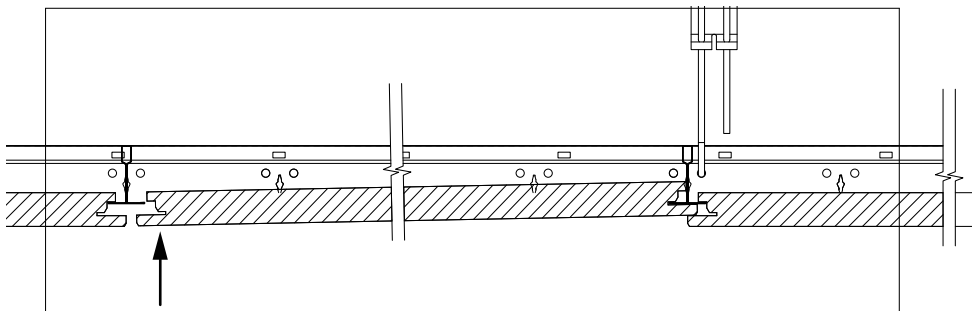
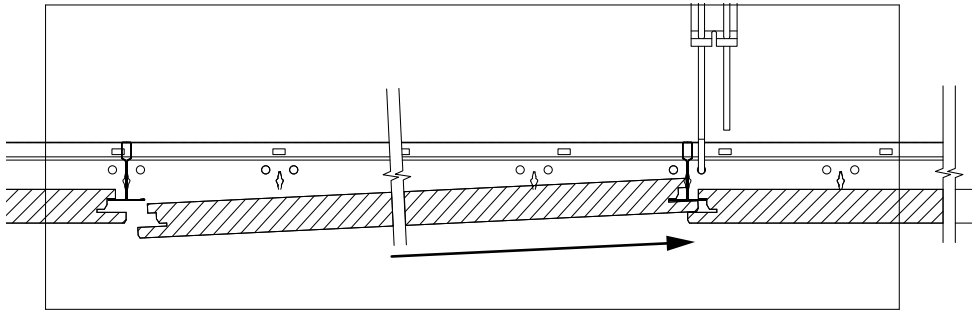
# System X – Tile installation

X1 is the bearing edge.

X2 is the non-bearing edge.



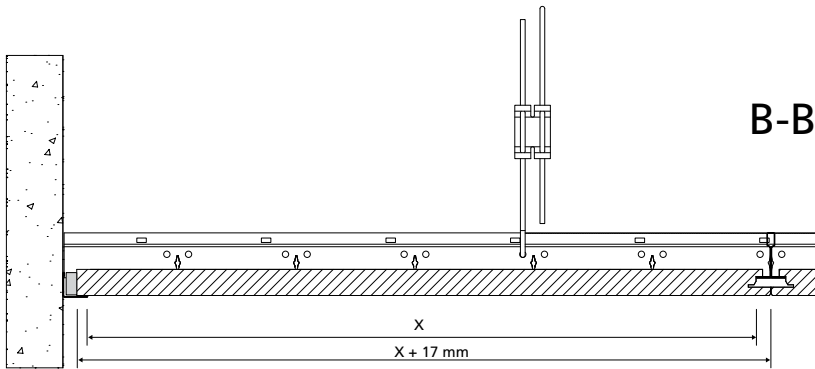
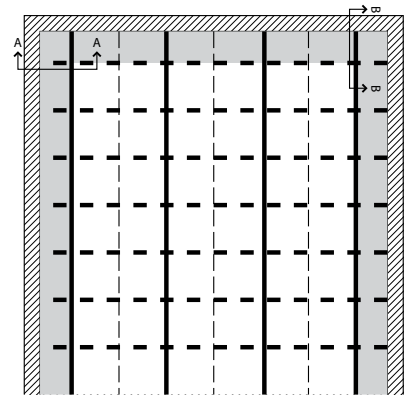
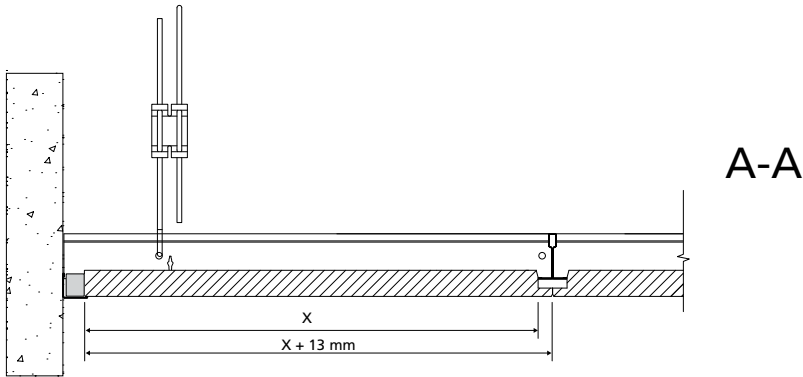
## Central tiles



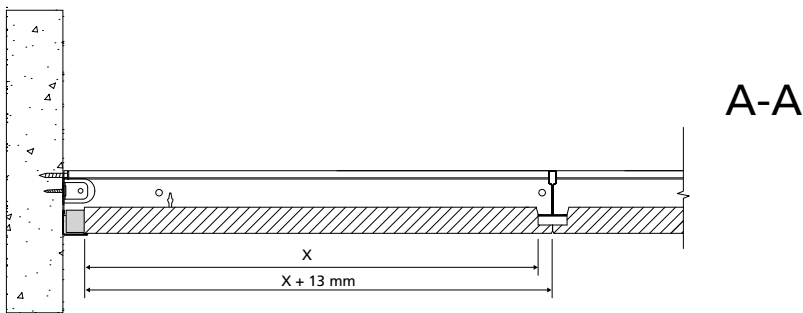
# System X – Tile installation

## Perimeter tiles

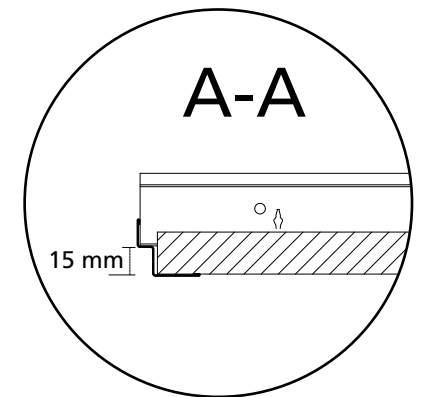
### Example 1



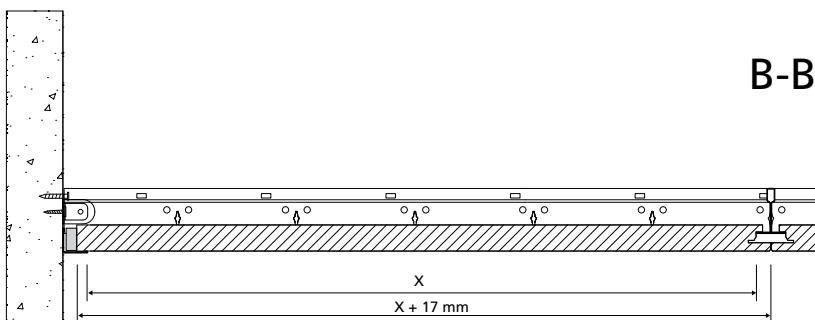
### Example 2



### Example 3



Use shadow moulding trim and avoid using hangers or brackets for fixation of the cross tees against the wall. The shadow moulding trim should have a 15 mm deep step.

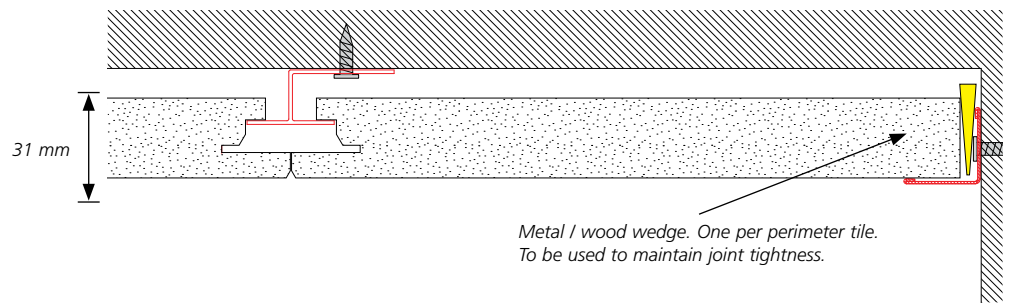


# System X – Special situations

## Direct installation

### Important

When direct-fixing using X-Hooks, it is not possible to adjust the installation height. Any soffit unevenness should be corrected, e.g. with the installation of battens, before tile installation is commenced.

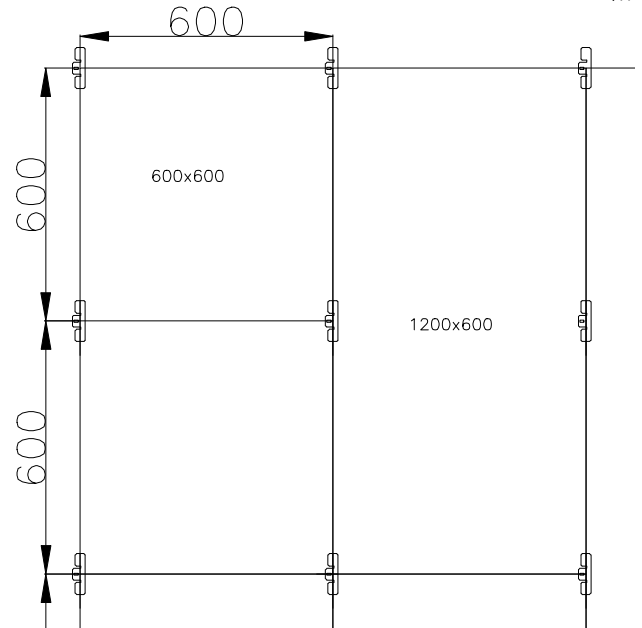


### System components and consumption guide (per m<sup>2</sup>)

	Perimeter trim and Wall clips	X-Hook
600 x 600 tiles	*	2.78 pc**
1200 x 600 tiles	*	2.78 pc**

\*Consumption depends on room size.

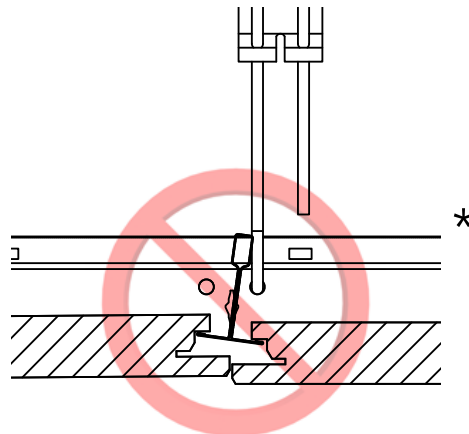
\*\*Be sure to use fixings best suited to the soffit material.



## Refurbishment

Because System X conceals the grid, you have the possibility to use the existing grid construction in a refurbishment project. Please check if the grids fit to the Rockfon System X grid requirement (page 3) and check level, quality and squareness.

During the refurbishment, the old perimeter trim must be moved to the level of the ceiling. The diagonal measurements are very important and must be checked.



\*RockLink 24 CLICK grid should be used.

## Swimming pool and high corrosion risk

Standard grid components are extremely durable. However, where metal corrosion is likely – such as above swimming pools, in high humidity areas or laboratories – specialised enhanced corrosion-resistant (ECR) grid components are required.

Consult your local regulations, and contact Rockfon for ordering assistance.

We believe our acoustic ceiling and wall solutions are a fast and simple way to create beautiful, comfortable spaces. Easy to install and durable, they protect people from noise and the spread of fire while making a constructive contribution towards a sustainable future.

Create and protect is what we stand for. It's how we work. It puts people first and promotes good relations. It's about sharing success and maintaining trust.

It's our rock-solid promise to you. Because at ROCKFON, create and protect is what we do – and it's inspired by you.

#### **ROCKFON**

A trading division of ROCKWOOL Limited  
26-28 Hammersmith Grove, London, W6 7HA  
Tel: 020 8222 7457  
Fax: 020 8222 7458  
[www.rockfon.co.uk](http://www.rockfon.co.uk)